

User Manual

PNI CommBoard

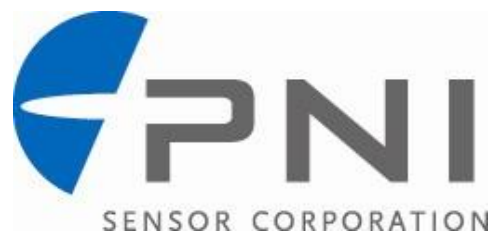


Table of Contents

1	COPYRIGHT & WARRANTY INFORMATION	1
2	INTRODUCTION	2
3	SPECIFICATIONS.....	3
3.1	Mechanical Drawing	4
4	SET-UP.....	5
4.1	Communication Setup	5
4.2	Hardware Setup	6
5	SPI OPERATION.....	9
5.1	SPI Commands	9
5.2	SPI Code Examples	14
5.2.1	RM3100 Eval Board Cycle Count Register Read	14
5.2.2	More RM3100 Eval Board Code Examples	16
5.2.3	RM3000-f Eval Board Code Examples.....	16
5.2.4	V2Xe Code Examples.....	16
6	I²C OPERATION	18
6.1	I ² C Commands.....	19

List of Tables

Table 2-1:	Applicable PNI Products & Interfaces	2
Table 3-1:	I/O Characteristics	3
Table 3-2:	Environmental Requirements	3
Table 3-3:	Mechanical Characteristics	3
Table 4-1:	UART Configuration	5
Table 5-1:	SPI Command Summary Table	9
Table 5-2:	SPI Syntax Character Definitions	10
Table 5-3:	Handshake Signal Status	13
Table 6-1:	I ² C Command Summary Table	18

List of Figures

Figure 3-1:	CommBoard Top View	4
Figure 4-1:	CommBoard Configuration Block Diagram	6
Figure 4-2:	CommBoard Signal and Power Connections	6
Figure 4-3:	CommBoard Jumper Configurations	7
Figure 5-1:	SPI Activity for RM3100 Cycle Count Register Read	14

1 Copyright & Warranty Information

© Copyright PNI Sensor Corporation 2012

All Rights Reserved. Reproduction, adaptation, or translation without prior written permission is prohibited, except as allowed under copyright laws.

Revised May 2013. For most recent version visit our website at www.pnicorp.com

PNI Sensor Corporation
2331 Circadian Way
Santa Rosa, CA 95407, USA
Tel: (707) 566-2260
Fax: (707) 566-2261

Warranty and Limitation of Liability. PNI Sensor Corporation ("PNI") manufactures its TCM products ("Products") from parts and components that are new or equivalent to new in performance. PNI warrants that each Product to be delivered hereunder, if properly used, will, for one year following the date of shipment unless a different warranty time period for such Product is specified: (i) in PNI's Price List in effect at time of order acceptance; or (ii) on PNI's web site (www.pnicorp.com) at time of order acceptance, be free from defects in material and workmanship and will operate in accordance with PNI's published specifications and documentation for the Product in effect at time of order. PNI will make no changes to the specifications or manufacturing processes that affect form, fit, or function of the Product without written notice to the OEM, however, PNI may at any time, without such notice, make minor changes to specifications or manufacturing processes that do not affect the form, fit, or function of the Product. This warranty will be void if the Products' serial number, or other identification marks have been defaced, damaged, or removed. This warranty does not cover wear and tear due to normal use, or damage to the Product as the result of improper usage, neglect of care, alteration, accident, or unauthorized repair.

THE ABOVE WARRANTY IS IN LIEU OF ANY OTHER WARRANTY, WHETHER EXPRESS, IMPLIED, OR STATUTORY, INCLUDING, BUT NOT LIMITED TO, ANY WARRANTY OF MERCHANTABILITY, FITNESS FOR ANY PARTICULAR PURPOSE, OR ANY WARRANTY OTHERWISE ARISING OUT OF ANY PROPOSAL, SPECIFICATION, OR SAMPLE. PNI NEITHER ASSUMES NOR AUTHORIZES ANY PERSON TO ASSUME FOR IT ANY OTHER LIABILITY.

If any Product furnished hereunder fails to conform to the above warranty, OEM's sole and exclusive remedy and PNI's sole and exclusive liability will be, at PNI's option, to repair, replace, or credit OEM's account with an amount equal to the price paid for any such Product which fails during the applicable warranty period provided that (i) OEM promptly notifies PNI in writing that such Product is defective and furnishes an explanation of the deficiency; (ii) such Product is returned to PNI's service facility at OEM's risk and expense; and (iii) PNI is satisfied that claimed deficiencies exist and were not caused by accident, misuse, neglect, alteration, repair, improper installation, or improper testing. If a Product is defective, transportation charges for the return of the Product to OEM within the United States and Canada will be paid by PNI. For all other locations, the warranty excludes all costs of shipping, customs clearance, and other related charges. PNI will have a reasonable time to make repairs or to replace the Product or to credit OEM's account. PNI warrants any such repaired or replacement Product to be free from defects in material and workmanship on the same terms as the Product originally purchased.

Except for the breach of warranty remedies set forth herein, or for personal injury, PNI shall have no liability for any indirect or speculative damages (including, but not limited to, consequential, incidental, punitive and special damages) relating to the use of or inability to use this Product, whether arising out of contract, negligence, tort, or under any warranty theory, or for infringement of any other party's intellectual property rights, irrespective of whether PNI had advance notice of the possibility of any such damages, including, but not limited to, loss of use, revenue or profit. In no event shall PNI's total liability for all claims regarding a Product exceed the price paid for the Product. PNI neither assumes nor authorizes any person to assume for it any other liabilities.

Some states and provinces do not allow limitations on how long an implied warranty lasts or the exclusion or limitation of incidental or consequential damages, so the above limitations or exclusions may not apply to you. This warranty gives you specific legal rights and you may have other rights that vary by state or province.

2 Introduction

Thank you for purchasing PNI Sensor Corporation's CommBoard, pn 13466. The CommBoard is a printed circuit assembly (PCA) that acts as an easy-to-use interface between a PC and certain PNI products. The CommBoard is a UART to SPI or I²C bridge which receives UART commands from the user's computer via a virtual communication port running over a USB line. The applicable PNI products and their interface types are listed below.

Table 2-1: Applicable PNI Products & Interfaces

PNI Product	Interface
RM3100 Evaluation Board	I ² C or SPI
RM3000-f Evaluation Board	SPI
V2Xe	SPI
SpacePoint Scout	I ² C or UART

3 Specifications

Table 3-1: I/O Characteristics

Parameter		Value	
Host Interface	Communication Interface	Virtual UART on USB	
	Protocol	ASCII	
	Communication Rate	115200 baud	
Device Interface	Communication Interface	I ² C or SPI	
	SPI Interface	Lines	SCLK, MISO, MOSI, SSN
		CPOL	Selectable (default = 0)
		CPHA	Selectable (default = 0)
		Clock Speed	50 kHz, 100 kHz (default), 1 MHz
I ² C Clock Speed	Selectable 32 kHz – 1 MHz (100 kHz default)		

Table 3-2: Environmental Requirements

Parameter	Value
Operating Temperature	-40C to +85C
Storage Temperature	-40C to +85C

Table 3-3: Mechanical Characteristics

Parameter	Value
Dimensions (<i>l</i> x <i>w</i> x <i>h</i>)	50.8 x 63.5 x 15.5 mm (2.0" x 2.5" x 0.6")
Weight	17 gm
Connector	Mini-USB

3.1 Mechanical Drawing

Dimensions in mm
[inches]

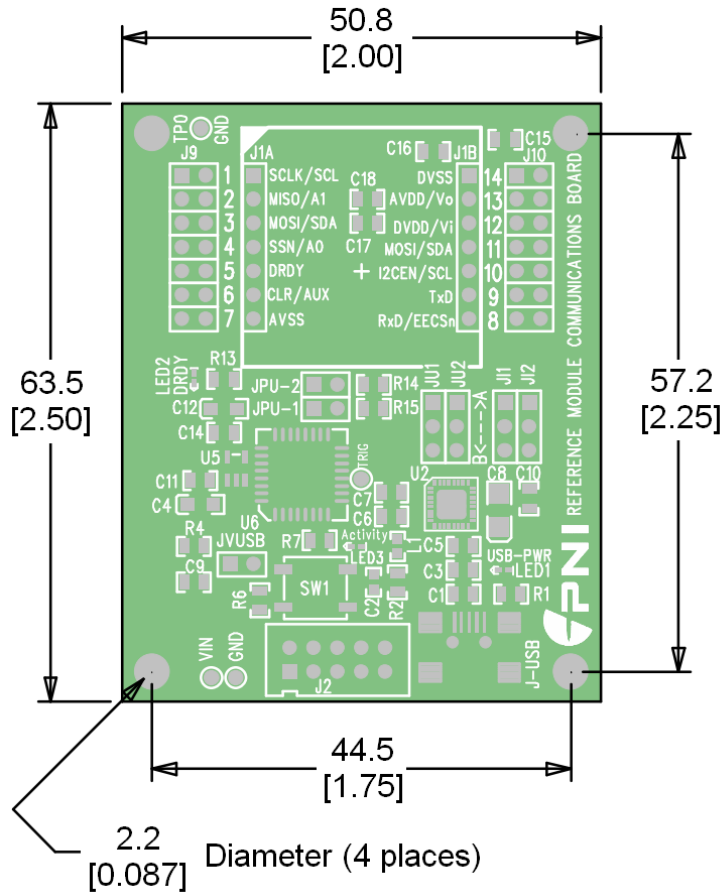


Figure 3-1: CommBoard Top View

4 Set-Up

4.1 Communication Setup

The CommBoard's physical interface is USB, but it runs a virtual UART over the USB line. As such, it is necessary to implement a virtual communication port (VCP) on the user's computer. The CommBoard uses FTDI's FT232R USB-to-RS232 IC, and the driver for this IC should be installed on your computer. This driver can be found on FTDI's website at:

<http://www.ftdichip.com/Drivers/VCP.htm>.

After installing the VCP driver and plugging in your PNI device, connect the CommBoard to your computer using a USB-to-mini-USB cable. The USB line provides power to the CommBoard and the device-under-test. The UART should be configured as shown below.

Table 4-1: UART Configuration

Parameter	Value
Baud Rate	115200
Number of Data Bits	8
Start Bits	1
Stop Bits	1
Parity	none

Figure 4-1 shows how a computer connects to a PNI device mounted on the CommBoard. On the computer side, the user will send commands using an ASCII terminal program such as HyperTerminal or Realterm. Alternatively, Matlab or a similar application that outputs ASCII can be used. These all will use a Virtual Comm Port to place their UART commands on the USB line of the computer. On the PNI CommBoard, the UART commands either are translated into SPI commands or I²C commands using the CommBoard's CPU, or sent directly to the PNI device. Whether the UART commands are translated into SPI or I²C, or fed directly into the PNI device, is established by the jumpers, discussed in Section 4.1.

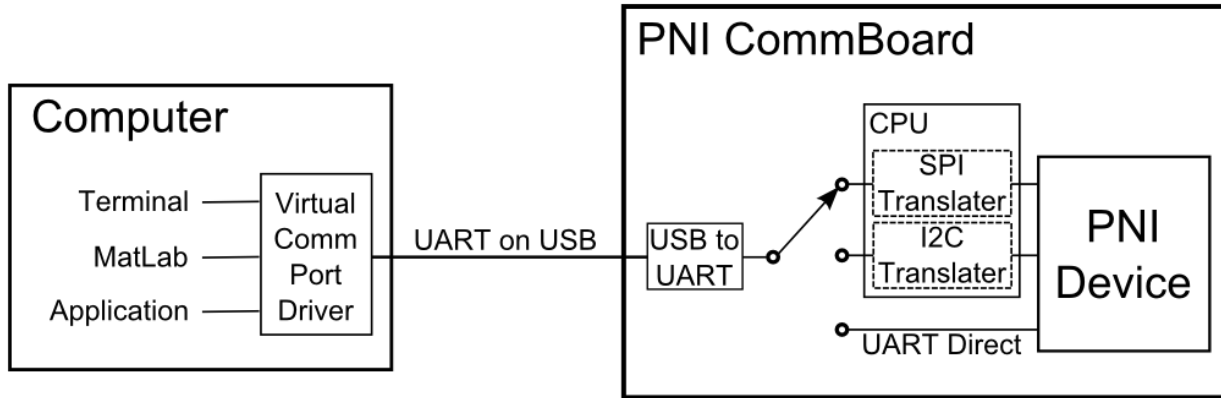


Figure 4-1: CommBoard Configuration Block Diagram

4.2 Hardware Setup

Figure 4-2 indicates where power connections can be made to the CommBoard, and also where the signal lines are connected. For most users, the power and signal lines will be supplied via the mini-USB jack. Next configure the jumpers on the CommBoard to match your device, as illustrated in Figure 4-3.

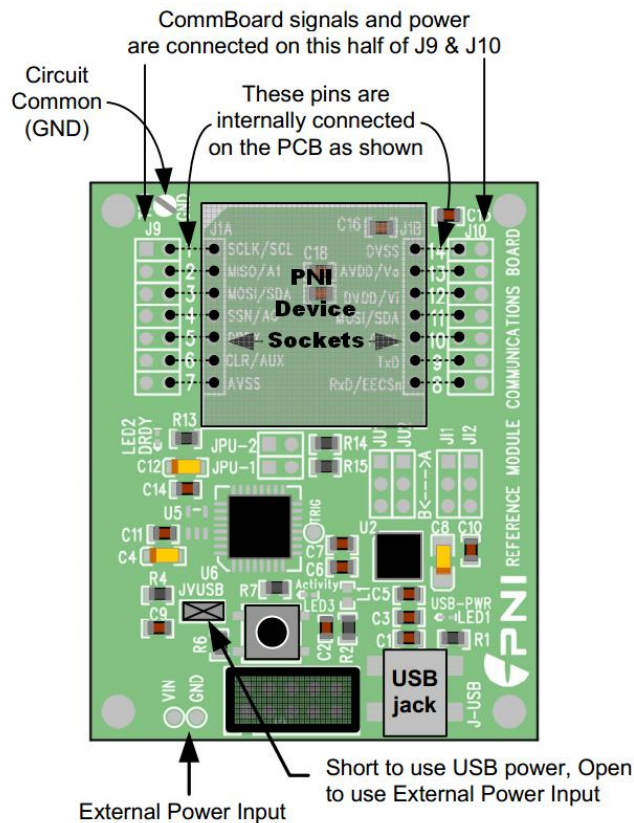
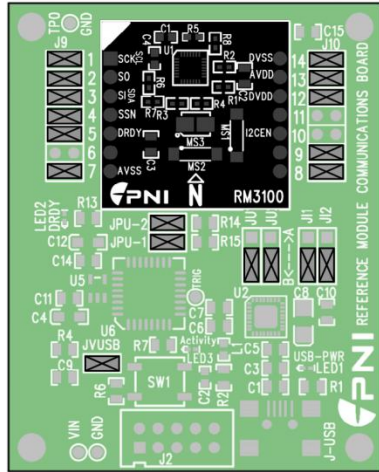


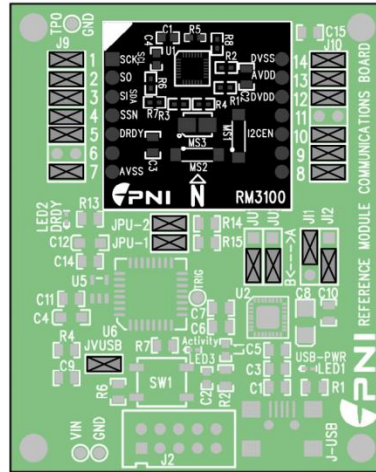
Figure 4-2: CommBoard Signal and Power Connections



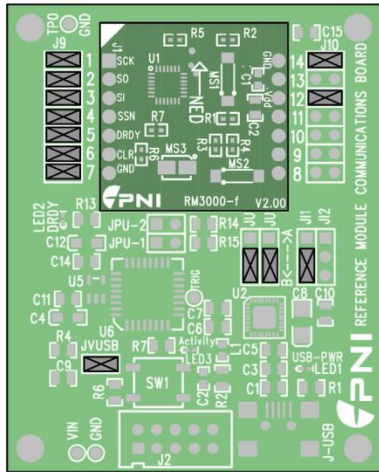
RM3100 Eval Board - SPI



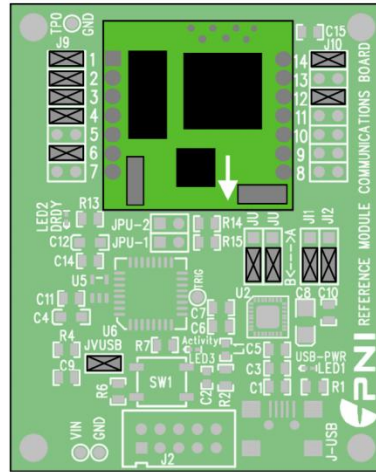
RM3100 Eval Board - I2C



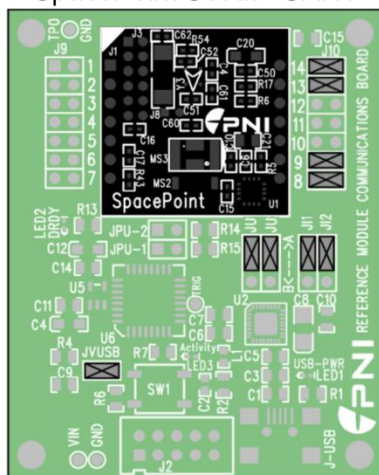
RM3000-f Eval Board - SPI



V2Xe - SPI



SpacePoint Scout - UART



SpacePoint Scout - I2C

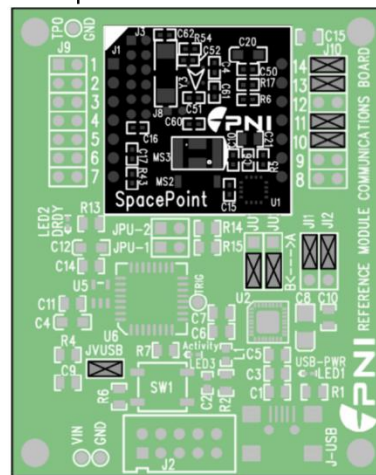


Figure 4-3: CommBoard Jumper Configurations

Plug your PNI device into the CommBoard. Pin 1 of the device should plug into pin 1 on the CommBoard. For the SpacePoint Scout and V2Xe, this means the arrow printed on the device will point towards the CommBoard's mini-USB connector, while for the RM3100 and RM3000-f Evaluation Boards the arrow will point away from the mini-USB connector.

Finally connect the CommBoard to your computer using a USB-to-mini-USB cable. The red and blue LEDs on the CommBoard should light up. Press the Reset button (SW1) on the CommBoard to ensure the computer is correctly interpreting your device's communication protocol

5 SPI Operation

The RM3100 Evaluation Board, RM3000-f Evaluation Board and V2Xe incorporate a SPI interface. For the RM3100 an I²C interface is also available, as discussed in Section 6. This section reviews how to use the CommBoard to communicate with these SPI devices via a computer using a terminal emulation program. Note the CommBoard not only converts UART to SPI, but it also allows for control and monitoring of the SSN, CLEAR, and DRDY lines.

5.1 SPI Commands

A summary of the commands relevant for working with SPI devices is given below.

Table 5-1: SPI Command Summary Table

ASCII Char.	Command	Syntax	Response
W, w	SPI Write	W{NIML}#{delimiter}{{NIML}#{delimiter}...}{<CR>}	
R, r	SPI Read	R#{S}(NIML){#{S}(NIML)...}<CR>	#{(delimiter)#...}{<CR>}
, <SP> <TAB> <CR>	Delimiter	Delimiters. Used to separate characters or data in a string. Sending a delimiter also changes the default delimiter used in the return data string sent to host.	
X, x	Hex/ Decimal	X = Hex mode (default), x= Decimal mode	
~	Hold for DRDY	~1 = Hold until DRDY HIGH, ~0 = Hold until DRDY LOW	
Y, y	Hold Always	Y	
Q	Quit Hold	Q (Capital 'Q' only)	
F	Flush UART Receive Buffer	F (Capital 'F' only)	
?	Handshake Status	?	Num2str (Uint8) or dec2hex(Uint8). More verbose in terminal mode
!	Pulse CLEAR pin	!	
\$	SSN Control	\$1 = Set SSN HIGH, \$0=Set SSN LOW	
.	Pause 2 ms	.	
V, v	CPHA Setting	"V" sets CPHA=1, "v" sets CPHA=0	
O, o	CPOL Setting	"O" sets CPOL=1, "o" sets CPOL=0	
Z, z	Clock Rate	"Z" = 1 MHz, "z" = 50 kHz, default = 100 kHz	
T, t	Terminal Mode	"T" turns on verbose terminal mode. "t" turns off terminal mode.	For "T": Sign-on text including mode and version number

Table 5-2 defines the characters used in the syntax description. Note that when {NIML} or (NIML) is used to define the word length, only N, I, M, or L should be present, not all four. If the word length is optional and no word length is defined in the sentence, then the prior specified word length will be used. Similarly, if the delimiter is optional and no delimiter is provided, then the prior specified delimiter will be used on return data. This holds when switching from a Read to a Write command, and vice-versa.

Table 5-2: SPI Syntax Character Definitions

Character	Definition
()	Required parameter inside parentheses
{ }	Optional parameter inside brackets
#	Number (data). Can include minus (-).
S, s	Treat incoming word as a signed value
N, n	Int8 value follows or is requested
I, i	Int16 value follows or is requested
M, m	Int24 value follows or is requested
L, l	Int32 value follows or is requested

W or w – SPI Write

This character indicates a Write command. The data word is sent once a delimiter or another command character is received from the host. The syntax is:

```
W{NIML}#(delimiter){ {NIML}#(delimiter) .. }{<CR>}
```

The data is #, and the data’s word length is defined by either N, I, M, or L, as set out in Table 5-2. If the optional carriage return is sent, it first serves as a delimiter to complete a write value and next it serves to terminate this command such that the character ‘W’ or ‘w’ has to be reissued to send additional data. Note that <CR> is not stored as the last used delimiter (see Delimiter section for details).

Multiple words of varying word lengths can be sent in one sentence. The operands ‘N’, ‘I’, ‘M’ or ‘L’ define the word length of the subsequent data being sent. These can be upper or lower case. This operand does not need to be repeated if the word length does not change.

Example: dWN123,456,i789<CR>

“d” sets the CommBoard to decimal mode. “W” defines this action as a Write command. “N” defines the word length as 8-bits. “123” is the first set of data, in decimal format. The delimiter is “,”. The next set of data, “456”, gets reduced to “200” because 456 overflows the 8-bit word (255 max) and “200” is what remains in the LSB. “i” changes the word length to 16-bits. “789” gets converted into “3”

for the MSB and “21” for the LSB. In summary, the following is sent after the complete Write command is executed (in decimal notation): $\boxed{123}, \boxed{200}, \boxed{3}, \boxed{21}$.

Example: `W11,n1<CR>`

The command will send the number “1” twice, once as a 16-bit word and next as an 8-bit word. The send bytes will look like $\boxed{00}, \boxed{01}, \boxed{01}$.

R or r – SPI Read

This character initiates a Read operation. The syntax is:

`R{#n}{S}(NIML){{#n}{S}(NIML) }{<CR>}`

Example: `Rni<CR>`

This command will read an 8-bit word and then a 16-bit word.

Note the word length character (NIML) must be sent for a Read operation, although it is optional for a Write operation. A delimiter can be inserted at any point to change the delimiter used for the data returned to the host.

Note the Read command supports a Write-Simultaneous-With-Read operation. In this case only 8-bit words are supported. Hence {#n} in the syntax. See Section 5.2.1 for an example.

, , <SP>, <TAB> or <CR> – Delimiters

Anytime a delimiter character is sent it will set the delimiter character used for separating data in the output after a Read command sequence. Once the delimiter is set, it will be retained until a subsequent command changes the delimiter.

Unlike other delimiters, a <CR> will terminate a command such that you need to send the command character again to use the command again. <CR> will not store as the delimiter for subsequent data; rather, the prior delimiter will be retained.

Terminating a Read command with a <CR>, as opposed to a character of the next command, will cause a <CR> character to be sent out the UART. If you intend to use Matlab to read the incoming values you will want to terminate with a <CR> so that it is compatible with the fscanf() function.

X or x – Hex/Decimal Mode

Sets the protocol to hexadecimal or decimal. “X” sets the protocol to hexadecimal, while “x” sets it to decimal. Once the protocol is set, it will be retained until a subsequent command changes the protocol. On power-up, the default is “X”. **Also, when hexadecimal mode is selected, hexadecimal digits “a” through “f” must be lower case.**

~ – DRDY Hold

This command causes an indefinite delay of processing subsequent characters received from the host until a ‘Q’ character is received or the conditions of DRDY port pin are met. The syntax is:

~#

such that # is either “1” or “0”, where “1” indicates DRDY must be HIGH to release the hold and “0” indicates DRDY must be LOW.

Characters received from the host will continue to be stored in a 100-character buffer. The exceptions are the ‘Q’ and ‘F’ commands, as they are processed as soon as they are received. Once the hold condition on the DRDY line is met the system will begin processing characters in the receive buffer in the order received.

Example: Wn1~1Rsi<CR>

Writes 01, then waits for DRDY to go HIGH. When DRDY goes HIGH the CommBoard then fetches (reads) a signed 16-bit value from the SPI port.

Y or y – Hold Always

This command causes the indefinite delay of processing subsequent characters received from the host until a ‘Q’ character is received. Characters received from the UART, other than ‘Q’ or ‘F’, will be stored in a 100 character buffer. Once a ‘Q’ is received the system will begin processing characters in the receive buffer in the order received.

Example: YwN1,2RMQ

As soon as the “Y” character is received, the CommBoard will stop processing. Once the “Q” character is received the CommBoard will write two bytes, 01 and 02, and then receive an unsigned 3-byte word.

Q – Quit Hold

Note that only capital ‘Q’ is recognized. Receipt of this character immediately releases any hold command presently set. This includes the DRDY Hold or the Hold Always commands. Characters in the receive buffer will begin processing. If the desire is to not process the buffer, then the Flush Buffer command should be sent immediately prior to sending, as “FQ”.

F – Flush Buffer

This command flushes the receive buffer. If there is a Hold command presently set and the buffer contains characters, this command purges the characters in the buffer.

This command will not remove the Hold state. Note that only capital ‘F’ is recognized.

? – Handshake Signal Status

The status of SSN and DRDY lines are returned to the user in a single byte. The value of the byte indicates the status of these lines, as given in Table 5-3.

Table 5-3: Handshake Signal Status

Value	SSN	DRDY
0	LOW	LOW
1	LOW	HIGH
2	HIGH	LOW
3	HIGH	HIGH

! – Pulse CLEAR Signal

On receiving this command a 10 μ s pulse is generated on the CLEAR pin. This pin is normally LOW.

\$ – SSN Control

Issuing this command sets or resets the CommBoard’s SSN line. The syntax is:

`$#`

where # must be “0” or “1”. The SSN pin will be set LOW if the number following the ‘\$’ character is “0” and will be set HIGH if the number is “1”.

Example: `x$0!wn113r~1rsi<CR>`

This sentence asserts SSN LOW and writes “113” (decimal), then waits for DRDY to go high, after which it reads a 16-bit signed integer. SSN is still LOW at the end of the sentence.

. – Pause 2 ms

Sending a “.” command causes a 2 ms delay before processing the next character in the receive buffer. This is useful when working with the V2Xe.

V or v – CPHA Setting

The SPI clock phase can be set by the user. “V” sets CPHA=1, “v” sets CPHA=0. The default is “v”, CPHA = 0.

O or o – CPOL Setting

The SPI clock polarity can be set by the user. “O” sets CPOL=1, “o” sets CPOL=0. The default is “o”, CPOL = 0.

Z or z – Clock Rate

At power-up the SPI clock rate is set to 100 kHz. Sending “Z” changes the clock rate to 1 MHz, while sending “z” changes it to 50 kHz. Rebooting the system will reset the clock rate to 100 kHz.

T or t – Terminal Mode

“T” turns on verbose terminal mode. “t” turns off terminal mode. The default is “t”.

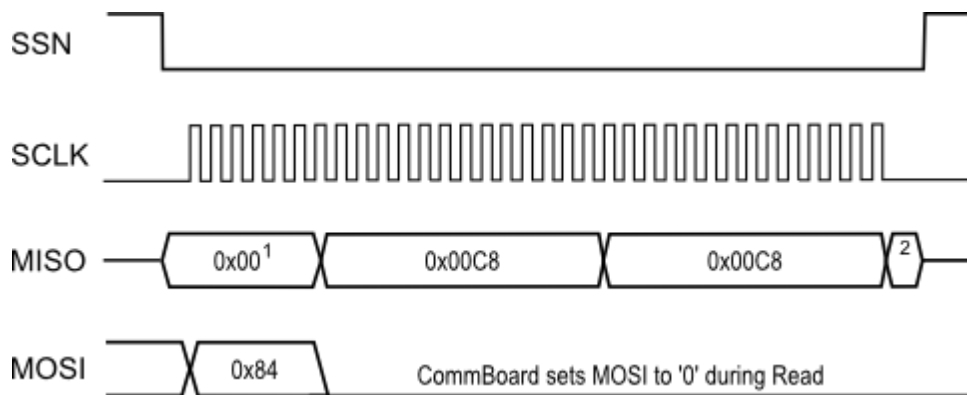
In terminal mode “T” all characters sent to the CommBoard will be echoed back to the host and sending the “?” command will return explanatory text.

5.2 SPI Code Examples

Some additional SPI code examples are given below. The examples are with the CommBoard operating in hexadecimal (“X”) and non-terminal (“t”) modes, which are the defaults at power-up. There are multiple ways to perform the same function and, for illustration purposes, two RM3100 Eval Board alternative read examples are given next.

5.2.1 RM3100 Eval Board Cycle Count Register Read

The following two examples demonstrate slightly different methods to read the cycle count register of the 3100 Evaluation Board. The examples provide the same information: the purpose is to show alternative ways to construct the sentence to format. For both cases, activity on the SPI lines is shown below in Figure 5-1.



Notes:

1. The value $0x00$ is automatically produced on the MISO line on the first 8 clock cycles after SSN is taken low. This acknowledges the RM3100 Eval Board is operational.
2. Because $CPHA = 0$ is assumed (default), the first bit of the next register in the series is present at this time and is shown here for completeness.

Figure 5-1: SPI Activity for RM3100 Cycle Count Register Read

Example #1: \$0r84nii\$1

The breakdown of this command is as follows:

- \$0 Set SSN line LOW
- r Set the CommBoard to Read Mode
- 84n Begin Read Mode by first sending 0x84 to the RM3100 module. 0x84 is the register read address of the MSB of the X-axis cycle counter register. If the Read command, “r”, is immediately followed by a value, then the value must be followed with an ‘n’ character. This is because a value immediately following the “r” character is interpreted as the register address in a Read-Simultaneous-Write operation. The CommBoard will write the address to the MOSI line while simultaneously reading the MISO line. The “n” will read the return byte, “00”, on the MISO line. For the remainder of the Read operation the CommBoard will set the MOSI line to zero.
- ii Read two 16-bit words from the SPI bus. To do this, the CommBoard will create 32 total clock pulses to read the data from the SPI bus.
- \$1 Set SSN line HIGH

The received signal is: “00 00C8 00C8”. This indicates both X and Y-axis cycle count registers are set to 0x00C8, or 200_d (default value).

Example #2: \$0wn84rii\$1

The breakdown of this command is as follows:

- \$0 Set SSN line LOW
- w Set the CommBoard to Write Mode.
- n This sets the word length to 8-bits. The CommBoard will interpret all subsequent write data as such until it is changed. In this case, sending a [NIML] character is optional. If a [NIML] character was not sent, then the Write command would use the last [NIML] character sent to the CommBoard, even if the last [NIML] was sent in a prior Read operation.
- 84 This sends a 0x84 to the RM3100 module. 0x84 is the read register address of the MSB of the X-axis cycle counter register.
- ii Read two 16-bit words from the SPI bus. To do this, the CommBoard will create 32 total clock pulses to get the data from the SPI bus.
- \$1 Set SSN line HIGH

The received signal is: “00C8 00C8”. In this case, the return byte is not read. Note the default delimiter, <SP>, is used in the received signal.

5.2.2 More RM3100 Eval Board Code Examples

Example #1: \$0wn04,00,64,00,64,00,64\$1

This sentence sets all three cycle count registers to 100_D (0x64).

Example #2: \$0wn00,70\$1

This sentence requests a single measurement be taken on all 3 axes.

Example #3: \$0wn01,71\$1

This sentence places the RM3100 Eval Board in Continuous Measurement Mode.

Example #4: \$0wnA4rmmm\$1

This sentence first writes the address of the MSB of the MX Read register, then reads from this byte and the subsequent 8 bytes, to provide the most recent measurement results on all 3 axes.

5.2.3 RM3000-f Eval Board Code Examples

Example #1: \$0wn83,00,64,00,64,00,64\$1

This sentence sets all three cycle count registers to 100_D (0x64).

Example #2: \$0wn82 01\$1

This sentence requests a single measurement be taken on all 3 axes.

Example #3: \$0rc9nmmm\$1

This sentence first writes the address of the MSB of the MX Read register, then reads from this byte and the subsequent 8 bytes, to provide the most recent measurement results on all 3 axes.

5.2.4 V2Xe Code Examples

Example #1: \$0.wnaa,01,00\$1.\$0rnnnnnnnnnnnn\$1

This sentence can be used to obtain the ID packet from a V2Xe. Note the “.” commands causes a 2 ms pause in transmission. These pauses are often necessary when working with the V2Xe.

Example #2: \$0.wnaa,03,03,05,06,08,00\$1

This sentence establishes which data components are to be reported by a V2Xe. In this case, 3 components are to be reported: heading, magnitude, and distortion. After writing this, the SSN line is set HIGH.

Example #3: \$0.wnaa,04,00\$1.....\$0rLLN\$1

This sentence can be used to obtain measurement data from a V2Xe. Again, note the pause commands, in this case 5x2 ms or 10 ms total prior to reading the data. The word lengths in the read command are set to accommodate reporting of the heading, magnitude, and distortion, as established in the prior command.

6 I²C Operation

The SpacePoint Scout and RM3100 Evaluation Board offer the option of using an I²C interface. Refer to Figure 4-3 to configure the CommBoard for the desired interface. This section reviews how to use the CommBoard to communicate using the I²C interface via a terminal emulation program. If the user will employ the Scout's UART interface, then the CommBoard simply passes the UART commands through the USB interface using the virtual communication port, as discussed in Section 4.1. If the user will employ the RM3100 Evaluation Board's SPI interface, refer to Section 5.

Note the I²C interface operates exclusively in hexadecimal, and the hexadecimal digits "a" through "f" must be lower case. In addition to converting UART to I²C, the CommBoard allows for monitoring the DRDY line. A summary of commands for working with an I²C interface is given below.

Table 6-1: I²C Command Summary Table

Byte Code	Command	Syntax	Response
{	Start of I ² C Read Command packet	{SLA REG NUM}	
}	Start I ² C Read Packet with STOP	REG = Command or Register number in hex(uint8) NUM = Number of bytes to read	HEX((uint8)data)
[Start of I ² C Write Command Packet	[SLA REG data, data, data.....]	
]	Send I ² C Write Packet with STOP	SLA = Slave 8-bit Address (R/W bit will be overridden) REG = Command or Register number (Uint8) data = 8-bit data in 2-byte ASIC HEX format	
' <SP> <TAB>	Delimiters	Delimiters. Used to separate characters or data in the return data string sent to the host.	
~	Hold for DRDY	~#	
Y, y	Hold Always	Y	
Q	Quit Hold	Q (Capital 'Q' only)	
F	Flush UART Receive Buffer	F (Capital 'F' only)	
!	Reset I ² C	!	
&	Set I ² C clock	&# where # = 0-A (single digit)	
T, t	Terminal Mode	Lower case 't' turns off terminal mode. Capital 'T' turns on verbose terminal mode.	

6.1 I²C Commands

{ or [– Start Read or Write Packet

The open brackets are used to start an I²C Read or Write packet. It does not matter which is used, as the end of the packet defines the type of transaction.

} or R or r – Finish Read Packet

An end curly bracket, an ‘R’ character, or an ‘r’ character finishes construction of an I²C packet to read data from the slave device and sends the packet to the slave device. The syntax of the packet is:

{SLA REG NUM}

Where:

- All numbers must be in 2-digit hexadecimal format. For example, the value zero must be represented as “00” and the value one as “01”. As a result, no delimiter is necessary.
- **SLA** is the 7-bit slave address in the 7 MSBits, plus the r/w bit in the LSB. However, the value of the r/w bit does not matter, as the CommBoard ensures the r/w bit is properly set. For example, the SpacePoint Scout’s 7-bit slave address is 0x0C, and shifting it into the 7 MSBits makes SLA = 0x18. Even if the LSB, or r/w bit, is set to “0” indicating a write operation, the CommBoard will transmit SLA = 0x19, effectively changing the LSB to reflect a read operation.
- **REG** either can be the first register number to start reading from or a command number depending on client hardware protocol.
- **NUM** is the number of data bytes to read.

Example #1:

{183108} requests and returns 8 bytes of data starting at register 0x31. For the SpacePoint Scout, the data will be quaternion data in 4x 2 bytes.

Example #2:

{193314} requests and returns 20 bytes (0x14 bytes) of data starting at register 0x33. While the r/w bit is populated with a “1”, such that the SLA byte = 0x19, the CommBoard uses the closing curly bracket, “}”, to recognize this as a read operation and ignores the r/w bit. For the SpacePoint Scout, the cursor position, Hpos and Vpos, will be returned in the final 2x 4 bytes.

] or W or w – Finish Write Packet

An end square bracket, a ‘W’, or a ‘w’ character finishes the construction of an I²C packet to write data to the slave device. The syntax of the packet is:

```
[SLA REG data data data...data]
```

Where:

- All numbers must be in 2-digit hexadecimal format. For example, the value zero must be represented as “00” and the value one as “01”. As a result, no delimiter is necessary.
- **SLA** is the 7-bit slave address in the 7 MSBits, plus the r/w bit in the LSB. However, the value of the r/w bit does not matter, as the CommBoard ensures the r/w bit is properly set. For example, the SpacePoint Scout’s 7-bit slave address is 0x0C, and shifting it into the 7 MSBits makes SLA = 0x18. Even if the LSB, or r/w bit, is set to “1” indicating a read operation, the CommBoard will transmit SLA = 0x18, effectively changing the LSB to reflect a write operation.
- **REG** either can be the first register number to write to or a command number, depending on the client hardware protocol.
- **Data** are the data bytes to write. Up to 62 bytes can be written in one packet.

Example:

For the SpacePoint Scout, [18b4] sends the command 0xB4, which establishes the cursor’s reference frame (ResetRef). Recall the SpacePoint Scout has a left-shifted SLA address of 0x18, and the CommBoard recognizes that the closing “]” bracket indicates this is a write command.

~ – DRDY Hold

This command causes an indefinite delay of processing subsequent characters received from the host until a ‘Q’ character is received or the conditions of DRDY port pin are met. The syntax is:

```
~#
```

such that # is either “1” or “0”, where “1” indicates DRDY must be HIGH to release the hold and “0” indicates DRDY must be LOW.

Characters received from the host will continue to be stored in a 100-character receive buffer. The exceptions are the ‘Q’ and ‘F’ commands, as they are processed as soon as they are received. Once the hold condition on the DRDY line is met the system will begin processing characters in the receive buffer in the order received.

Y or y – Hold Always

This command causes the indefinite delay of processing subsequent characters received from the host until a ‘Q’ character is received. Characters received from the host, other than ‘Q’ or ‘F’, will be stored in a 100 character receive buffer. Once a ‘Q’ is received the system will begin processing characters in the receive buffer in the order received.

Q – Quit Hold

Receipt of this character immediately releases any hold command presently set. This includes the DRDY Hold or the Hold Always commands. Characters in the receive buffer will begin processing. Note that only capital ‘Q’ is recognized.

F – Flush I²C Receive Buffer

This command flushes the receive buffer. If there is a Hold command presently set and the buffer contains characters, this command purges the characters in the buffer.

! – Reset

This command resets the CommBoard’s internal I²C state machine and external interface.

& – Set I²C Clock Speed

“&” followed by a single-digit sets the I²C clock speed. A value of “0” sets the clock speed to ~32 kHz. A value of “1” to “9” sets the speed to ~100x the value, in kHz. (ex. a value of 3 sets the clock speed ~300 kHz.) A value of “A” sets the clock speed to ~1 MHz.

T or t – Terminal Mode

“T” turns on verbose terminal mode. “t” turns off terminal mode.